

REFRIGERATOR & FREEZER

SPECIALIST IN LAB FREEZERS AND
REFRIGERATORS



VERSION.2022



Bioevokeak

TEL: +86-531-88982330

FAX: +86-531-88983691

Website: Bioevokeak.com

Email: info@bioevokeak.com

Service: support@bioevokeak.com

Address: 17th Floor, Mingsheng Building, High-tech Zone, Jinan City

2~8°C Single Door Pharmaceutical Refrigerator

PR5-60 PR5-100 PR5-100F PR5-310 PR5-315 PR5-320
PR5-415 PR5-420



Key Features



Advanced forced cooling system to keep inside temperature stable and uniform. Finned evaporator with special cycle design of forced air cooling system to ensure no-frost inside.



Equipped with a complete temperature alarm system featuring audible buzzer and visible flashing light. Capable of alerting failures due to high and low temperature sensor error, door ajar, power failure and low battery.



Adjustable temperature range 2-8°C.
Temperature variation within ±3°C.



To achieve maximum temperature uniformity and stability. Microprocessor control digital display, and temperature adjustment with an increment of 0.1°C. Inner light design for a clear display. Optional testing hole.





Specifications

Model	PR5-60	PR5-100	PR5-100F
Capacity(L/cu.ft)	60/2.11	100/3.53	100/3.53
Shelf/drawer	Shelves/2	Shelves/3	Shelves/3
Cooling method	Forced Air Cooling System		
Defrost	Auto		
Refrigerant	R600a		
Compressor brand/QTY	China Brand/1		
Ambient temperature(°C)	10-32°C		
Temperature range(°C)	2-8°C		
Sensor Type	NTC		
Temperature controller	Microprocessor		
Temperature recorder	Optional		
Display	Digital display		
Inside material	Color sprayed steel	HIPS	
Outside material	Color sprayed steel		
Outer door/Type	1/Glass/Low-E	1/Glass door	1/Foaming door
Insulation	PURF		
Alarm	High/low temperature; Power failure; Thermostat failure; Door ajar		
	/		
Power failure backup system(alarm)	8h	/	
Foot	Y		
Castor	/	Y	
Lamp	LED		
Test hole QTY/diameter	1/25mm	Optional	
USB port	/		
RS232/485 port	/		
Voltage/frequency (V/Hz)	220/50Hz		
Current(A)	0.59A	0.8A	
Power(W)	72W	80W	
Power consumption(kWh/24h)	0.84	1.15	
Noise(db)	50		
Exterior size(W×D×H)(mm)	495×450×710	505×510×875	505×520×875
Interior size(W×D×H)(mm)	410×315×560	385×356×737	
Package size(W×D×H)(mm)	558×510×760	580×580×940	
CBM	0.22	0.32	
20GP/40GP/40HQ	132/276/276	80/160/160	
NW./GW.(kg)	33/37	35/38	30/33



Specifications

Model	PR5-310	PR5-315	PR5-320	PR5-415	PR5-420
Capacity(L/cu.ft)	312/11.02	316/11.15		416/14.69	
Shelf/drawer	Shelves/5	Shelves*6/Basket*1			Shelves/5
Cooling method	Forced Air Cooling System				
Defrost	Auto				
Refrigerant	R290			R134a	
Compressor brand/QTY	China Brand/1				
Ambient temperature(°C)	10-32°C				
Temperature range(°C)	2-8°C				
Sensor Type	NTC				
Temperature controller	Microprocessor				
Temperature recorder	Optional				
Display	Digital display				
Inside material	Blister liner	Color sprayed steel			
Outside material	Color sprayed steel				
Outer door/Type	1/Heating glass door	1/Heating glass door with automatic rebound	1/Glass /Low-E		1/Glass /Low-E
Insulation	PURF				
Alarm	High/low temperature; Power failure; Thermostat failure; Door ajar				
	Backup battery failure alarm; Backup battery failure alarm; Condenser fault alarm;			/	
Power failure backup system(alarm)	48h		8h		
Foot	Y				
Castor	Y				
Lamp	LED				
Test hole QTY/diameter	1	1/25mm			
USB port	Y				/
RS232/485 port	Y				/
Voltage/frequency (V/Hz)	220/50Hz				
Current(A)	1.3A	1.7A	1.46A		1.3A
Power(W)	245W	280W	216W		190W
Power consumption(kWh/24h)	1.85	3.97	2.8		2.37
Noise(db)	50				
Exterior size(W×D×H)(mm)	650×624×1902	660×555×1915		800×552×1940	
Interior size(W×D×H)(mm)	560×485×1350	540×425×1380		685×429×1380	
Package size(W×D×H)(mm)	710×680×1960	710×640×1970		890×655×2100	
CBM	0.95	0.90		1.22	
20GP/40GP/40HQ	24/48/48	27/54/54		18/39/39	
NW./GW.(kg)	86/90	92.5/100		120/133	

2~8°C Single Door Pharmaceutical Refrigerator

PR5-250



pharmacy refrigerators are specially designed to store medicines, vaccines, reagents and biomedical products.



Features

- Adjustable temperature range 2~8°C
- Microprocessor control, digital display, and temperature adjustment with an increment of 0.1°C
- Large digital display screen
- Temperature variation within ±3°C
- High efficiency specialty compressor with known field reliability
- Forced-air cooling with optimized air distribution system designed

Safety

- Build-in back-up battery can display temperature and operate audible and visual alarm system for up to 48 hours without AC power.
- Visual and audible alarm system: High/low temperature, thermostat failure alarm, power failure alarm, door ajar.
- Power failure protection: turn on delay of the cooling system when power failure, restart delay protection.
- Keyboard lock, password protection to avoid set parameter randomly.
- Wide available voltage range: 187V~242V.
- Safety lock to prevent unauthorized access

WARRANTY

- 1 year free spare parts and remote technical support.
- Reliable control system Inside temperature 2~8°C
- Forced-air cooling system Frost-free
- Service-free drainage system
- Wide voltage range 187V~242V available
- 5 visual and audible alarms



Standard with LED Interior light
Permanently lubricated cooling fan for safety and longevity



Optimized space utilization design with multi-level and adjustable shelf height to accommodate storage requirement of pharmaceutical products of various kinds.



Caster design and leveling legs

Specifications

Performance	
Temperature Range	+2~+8°C
Ambient Temperature	10~32°C
Controller	Microprocessor
Display	Digital Display

Electrical Data	
Power Supply(V/Hz)	220-240V/50HZ-60;115V/60HZ
Rated Power(W)	140W
Electrical Current(A)	1.0A
Power Consumption	1.6kWh/24h

Dimensions	
Capacity	226L
Interior Size(W*D*H)	534*406*1150mm
Exterior Size(W*D*H)	625*594*1707mm
Package Size(W*D*H)	707*676*1745mm
N.t./G.t.(approx)	73/76kg
Loading Qty(20'/40'/40H)	24/51/51

Refrigeration System	
Compressor	1
Refrigerant	R600a
Cooling Type	Forced-air cooling
Defrost Type	Auto defrost

Alarm	
High/Low Temperature	Y
Power Failure	Y
Door ajar	Y
Thermostat failure	Y

Accessories	
Caster	4
Lamp	LED
Door	1(Glass door)
Shelf	4
Test hole	1/25MM
Temperature recorder	Optional

2-8 °C Double Door Pharmaceutical Refrigerator

PR5-660 PR5-1000



Key Features



PR5-660 PR5-1000



Forced-air cooling with optimized air distribution system designed.



Adjustable temperature range 2-8°C.



To achieve maximum temperature uniformity and stability.



Optimized refrigeration system design for more effective cooling and speedy recovery.



Temperature variation within ±3°C.



Capable of alerting failures due to high and low temperature sensor error, door ajar, power failure and low battery.

Product details



Safety door lock design to avoid door ajar.



Big digital screen display for easy observation.



Optimized space utilization design with multi-level and adjustable shelf height to accommodate storage requirement of pharmaceutical products of various kinds.



Caster design and leveling legs LED interior light.



High efficiency specially compressor with known field proven reliability.



Permanently lubricated cooling fan for safety and longevity.

Specifications

	Model	PR5-660	PR5-1000	
Specifications	Shelf/drawer	Shelves/10	Shelves/10	
	Cooling method	Forced Air Cooling System	Forced Air Cooling System	
	Defrost	Auto	Auto	
	Refrigerant	R290	R290	
	Power consumption(kWh/24h)	5.75	6.23	
	Noise(db)	52	53	
	Ambient temperature(°C)	10-32°C	10-32°C	
Cooling system	Temperature range(°C)	2-8°C	2-8°C	
	Compressor brand/QTY	China Brand/1	China Brand/1	
	Sensor Type	NTC	NTC	
	Temperature controller	Microprocessor	Microprocessor	
Power	Display	Digital display	Digital display	
	Voltage/frequency (V/Hz)	220/50Hz	220/50Hz	
	Power(W)	385W	425W	
Material	Current(A)	2.3A	2.4A	
	Inside material	Color sprayed steel	Color sprayed steel	
	Outside material	Color sprayed steel	Color sprayed steel	
Size	Insulation	PURF	PURF	
	Capacity(L/cu.ft)	656/23.16	1006/35.52	
	NW./GW.(kg)	166/184	189/213	
	Exterior size(W×D×H)(mm)	1240×630×1895	1240×820×1900	
	Interior size(W×D×H)(mm)	1100×454×1325	1100×684×1325	
	Package size(W×D×H)(mm)	1335×710×2000	1335×945×2000	
	CBM	1.90	2.52	
	20GP/40GP/40HQ	12/27/27	8/18/18	
	Alarm	High/low temperature	Y	Y
		Power failure	Y	Y
Thermostat failure		Y	Y	
Door ajar		Y	Y	
Power failure backup system(alarm)		8h	8h	
Castor		Y	Y	
Accessories	Outer door/Type	2/Heating glass door with automatic rebound	2/Heating glass door with automatic rebound	
	Door Lock	2	2	
	Test hole QTY/diameter	1/25mm	1/25mm	
	Lamp	LED	LED	
	Temperature recorder	Optional	Optional	
	Remote alarm port	Y	Y	

2~8 °C Three-Door pharmacy medical refrigerator

PR5-1500



Key Features



Forced-air cooling with optimized air distribution system designed.



Optimized refrigeration system design for more effective cooling and speedy recovery.



Adjustable temperature range 2-8°C.



Temperature variation within ±3°C.



To achieve maximum temperature uniformity and stability.



Capable of alerting failures due to high and low temperature sensor error, door ajar, power failure and low battery.



PR5-1500



Safety door lock design to avoid door ajar.



Big digital screen display for easy observation.



Optimized space utilization design with multi-level and adjustable shelf height to accommodate storage requirement of pharmaceutical products of various kinds.



Caster design and leveling legs LED interior light.



High efficiency specially compressor with known field proven reliability.



Permanently lubricated cooling fan for safety and longevity.

Specifications

	Model	PR5-1500
Specifications	Shelf/drawer	Shelves/12
	Cooling method	Forced Air Cooling System
	Defrost	Auto
	Refrigerant	R134a
	Power consumption(kWh/24h)	8
	Noise (db)	55
	Ambient temperature (°C)	10~32°C
	Temperature range (°C)	2-8°C
Cooling system	Compressor brand/QTY	Secop/1
	Sensor Type	NTC
	Temperature controller	Microprocessor
	Display	Digital display
Power	Voltage/frequency(V/Hz)	220/50Hz
	Power(W)	1040W
	Current(A)	5.4A
Material	Inside material	304 stainless steel
	Outside material	304 stainless steel
	Insulation	PURF
Size	Capacity(L/cu.ft)	1500/52.97
	NW./GW. (kg)	245/280
	Exterior size(W×D×H)(mm)	1800×775×1965
	Interior size(W×D×H)(mm)	1680×595×1312
	Package size(W×D×H)(mm)	1880×820×2150
	CBM	3.31
	20GP/40GP/40HQ	6/14/14
Alarm	High/low temperature	Y
	Power failure	Y
	Thermostat failure	Y
	Door ajar	Y
	Power failure backup system(alarm)	8h
Accessories	Castor	Y
	Outer door/Type	3/Glass door
	Door Lock	3
	Test hole QTY/diameter	Optional
	Lamp	LED
Temperature recorder	Optional	

-25°C Freezer, Vertical Type

LF25-100 LF25-270E LF25-280W LF25-330E LF25-360
 LF25-530 LF25-940 CRF25-300 CRF25-370



Key Features



LF25-360



Independent inner door to avoid more cooling leakage, and provide more stable inside temperature performance.



Lockable caster design for customer to move as needed.



Upright side door with build-in handle for easy-opening; The hinge stopper can prevent collision when opening the door.



Multiple malfunction alarms including high and low temperature, sensor error, power off, temperature controller malfunction, door ajar.



Two types of alarm indications: audible buzzing and visible flashing light.



Power failure protection: the device would be attack by the high current when all devices restart simultaneously, and the start-delay function would protect device from damage.



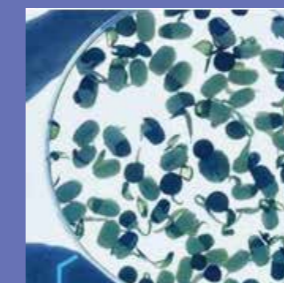
Controller password protect function to avoid change running parameter randomly.



Wide voltage tolerance design with applicable voltage range of 187~242V/AC.

Reliability

- Chemically stable, CFC-free, commercially available and environmentally, safe refrigerant.
- High density CFC-free urethane foam insulation for rigidity and stable storage temperature.
- Microprocessor control, digital display adjustable temperature range: -10°C ~ -25°C, with 0.1°C increment.
- LED digital display for clear observation.



It can be used to preserve plasma, biological materials, vaccines, reagents, etc. And it is suitable for scientific research institutes, electronic, chemical and other enterprise laboratories, blood stations, hospitals, disease prevention and control centers and animal

Specifications



Model		LF25-100	LF25-270E	LF25-280W	LF25-330E	LF25-360	LF25-530	LF25-940	CRF25-300	CRF25-370
Specifications	Shelf (drawer)	Shelves and drawers	Shelves/3	Drawers/7	Shelves/4	Shelves/4 drawers/12	Shelves/4 drawers/18	Shelves/3	Shelves/2 draws/3	Shelves/2 draws/6
	Cooling method	Direct cooling	Direct cooling	Direct cooling	Direct cooling	Direct cooling	Direct cooling	Direct cooling	Direct cooling	Direct cooling
	Defrost	Manual	Manual	Manual	Manual	Manual	Manual	Manual	Manual	Manual
	Refrigerant	R600a	R290	R290	R290	R290	R290	R404A	R290	R600a & R290
	Power consumption (kWh/24h)	2.2	3	1.5	3	/	3.4	10	2.96	3.03
	Noise (db)	50	46	46	46	49	55	50	/	50
	Ambient temperature (°C)	10~32°C	10~32°C	10~32°C	10~32°C	10~32°C	10~32°C	10~32°C	10~32°C	10~32°C
Temperature range (°C)	-10~25°C	-10~-25°C	-10~-25°C	-10~-25°C	-10~-25°C	-10~-25°C	-10~-25°C	F: -10°C~-25°C R: 2°C~8°C	F: -10°C~-25°C R: 2°C~8°C	
Cooling system	Compressor brand/QTY	KY55C45G	CUBIGELN/1	DONPERN/1	CUBIGELN/1	CUBIGEL/2	MEIZHI/2	SECOP/2	China brand 2	China brand 2
	Sensor	NTC	NTC	NTC	NTC	NTC	NTC	PTC	NTC	NTC
	Temperature controller	Microprocessor	Microprocessor	Microprocessor	Microprocessor	Microprocessor	Microprocessor	Microprocessor	Microprocessor	Microprocessor
	Display	Digital display	Digital display	Digital display	Digital display	Digital display	Digital display	Digital display	Digital Display	Dual Independent Digital Display
Power	Voltage/frequency(V/Hz)	220/50Hz	220/50Hz	220/50Hz	220/50Hz	220/50Hz	220/50Hz	220N50Hz	220V/50Hz	220V/50Hz
	Power(W)	150W	180W	180W	180W	/	260W	1000W	333	300
	Current(A)	0.9A	1.4A	1.5A	1.4A	/	1.9A	5.8A	2.37	2.37
Material	Inside material	HIPS	Color sprayed steel	Color sprayed steel	Color sprayed steel	Color sprayed steel	Color sprayed steel	304 Stainless steel	SPCC sprayed steel	SPCC sprayed steel
	Outside material	Color sprayed steel	Color sprayed steel	Color sprayed steel	Color sprayed steel	Color sprayed steel	Color sprayed steel	Color sprayed steel	SPCC sprayed steel	SPCC sprayed steel
	Insulation	PURF	PURF	PURF	PURF	PURF	PURF	PURF	PURF	PURF
Size	Capacity(L/cu.ft)	100/3.53	268/9.46	278/9.81	328/11.58	358/12.6	528/18.64	936/33.05	R: 198 F: 102	R: 183 F: 185
	NW./GW.(kg)	40kg/43kg	93.5/113.5	85/101	104/125	138/178	151/184	377/421	100/120	137/166
	Exterior size(W×D×H)(mm)	540×540×880	690×680×1635	670×640×1695	690×680×1900	720×830×1870	910×845×1875	1320×980×2100	650×620×1980	730×830×1880
	Interior size(W×D×H)(mm)	410×410×670	508×455×1137	480×415×1460	508×455×1393	466×636×625	(651×631.5×635)×2	1000×700×1335	R: 565×480×759F: 461×465×600	R: 580×626×625F: 466×636×625
	Package size(W×D×H)(mm)	590×590×900	760×760×1750	730×670×1850	750×760×2030	780×920×1990	930×970×2000	1360×1135×2170	720×695×2015	775×920×1990
	CBM	0.31	1.01	0.90	1.16	1.43	1.80	3.35	1.00	1.42
	20GP/40GP/40HQ	54/120/120	21/45/45	24/51/51	21/48/48	18/39/39	12/24/24	8/16/16	24/48/48	14/39/39
Alarm	High/low temperature	Y	Y	Y	Y	Y	Y	Y	Y	Y
	Power off	Y	Y	/	Y	Y	Y	Y	Y	Y
	Sensor malfunction	Y	Y	Y	Y	Y	Y	Y	Y	Y
	Ambient temperature (°C)	/	/	/	/	Y	Y	Y	/	Y
	Abnormal voltage	/	/	/	/	/	/	Y	/	/
	Temperature controller malfunction	Y	Y	Y	Y	Y	Y	Y	Y	Y
	Door ajar	Y	Y	Y	Y	Y	Y	Y	Y	Y
	Power failure backup system(alarm)	8H	8H	8H	8H	8H	8H	72H	8H	8H
Caster	/	Y	Y	Y	Y	Y	Y	Y	Y	
Accessories	Test hole	/	Y	Y	1/25MM	2/25MM	2/25MM	1/18MM	/	2/25MM
	USB port	/	/	/	/	Y	Y	Y	/	Y
	Data logger	Optional	Optional	Optional	Optional	Optional	Optional	Optional	Optional	Optional
	Remote alarm	/	Y	/	Y	Optional	Y	Y	/	Y

-25°C Freezer, Chest Freezer

LF25-H110 LF25-H310 LF25-H490



Key Features

- Chemically stable, CFC-free, commercially available and environmentally safe refrigerant.
- Microprocessor control, adjustable temperature range: -20°C to -40°C
- LED digital display and increment at 0.1°C.
- Permanently lubricated cooling fan for safety and longevity.



Big screen for easy observation.



Door lock design to avoid abnormal door open.

Reliability

- High density CFC-free urethane foam insulation.
- Standard with 25mm test hole. (The low temperature freezer should be equipped with temperature test holes on the freezer body or door cover, and the two ends of the hole should be reliably sealed with rubber plugs. When used in occasions where temperature measurement is not required, temperature measurement holes may not be provided.)
- Power failure protection: the device would be attacked by the high current when all devices restart simultaneously, and the start-delay function would protect device from the damage.



Multiple malfunction alarms to detect high and low temperature, sensor error, power failure, temperature controller malfunction.



Two types of alarm indications: audible buzzing and visual flashing light.



Wide voltage tolerance design with applicable voltage range of 187~242V/AC.



Specifications

	Model	LF25-H110	LF25-H310	LF25-H490
Specifications	Cooling method	Direct cooling	Direct cooling	Direct cooling
	Defrost	Manual	Manual	Manual
	Refrigerant	HC-R290	R134a	HC-R290
	Power consumption (kWh/24h)	1.59	1.5	3.45
	Noise (db)	46	52	55
	Ambient temperature (°C)	10~32°C	10~32°C	10~32°C
	Temperature range (°C)	-10~-25°C	-10~-25°C	-10~-25°C
Cooling system	Compressor brand/QTY	DONPER/1	China brand	CUBIGELN/1
	Sensor	NTC	NTC	NTC
	Temperature controller	Microprocessor	Microprocessor	Microprocessor
	Display	Digital display	Digital display	Digital display
Power	Voltage/frequency(V/Hz)	220/50Hz	220/50Hz	220N50Hz
	Power(W)	174W	106W	295W
	Current(A)	1.48A	0.92A	2.45A
Material	Inside material	Color sprayed steel	Color sprayed steel	Stainless steel
	Outside material	Color sprayed steel	Color sprayed steel	Color sprayed steel
	Insulation	PURF	PURF	PURF
Size	Capacity(L/cu.ft)	105/3.70	305L	485/17.12
	NW./GW.(kg)	41.8/54	74.2/87	124/138
	Exterior size(W×D×H)(mm)	615*570*880	1135*725*890	1655*755*915
	Interior size(W×D×H)(mm)	480*380*665	1000*520*665	1455*525*665
	Package size(W×D×H)(mm)	675*625*1000	1223*777*1005	1710*885*1020
	CBM	0.42	0.96	1.66
	20GP/40GP/40HQ	27/57/57	26/56/56	12/26/26
Alarm	High/low temperature	Y	Y	Y
	Power off	Y	Y	Y
	Sensor malfunction	Y	Y	Y
	Temperature controller malfunction	Y	Y	Y
	Power failure backup system(alarm)	12H	12H	/
Accessories	Caster	Y	Y	Y
	Test hole	1/25MM	1/25mm	Optional
	Data logger	Optional	Optional	Optional

-40°C Freezer, Vertical Type

LF40-270E LF40-280E LF40-330E

Key Features

High density CFC-free urethane foam insulation.
 Microprocessor control, adjustable temperature range: 200°C to -40°C.
 Corrosion proof cabinet interior design.



Permanently lubricated cooling fan for safety and longevity.



Independent inner door to avoid more cooling leakage, and provide more stable inside temperature performance.



LED digital display and increment at 0.1°C.



Lockable caster design for customer to move as needed.

Reliability

- Chemically stable, CFC-free, commercially available and environmentally safe refrigerant.
- Optimized refrigeration system designed to maximize cooling effect and temperature uniformity.
- Microprocessor control, digital display adjustable temperature range: -10°C ~ -25°C, with 0.1°C increment.
- LED digital display for clear observation.



Multiple malfunction alarms including high and low temperature, sensor error, power off, temperature controller malfunction, door ajar.



Two types of alarm indications: audible buzzing and visible flashing light.



Power failure protection: the device would be attack by the high current when all devices restart simultaneously, and the start-delay function would protect device from damage.



Wide voltage tolerance design with applicable voltage range of 187-242V/AC

Specifications



Model	LF40-270E	LF40-280E	LF40-330E
Shelf/drawer	Shelves/3	Drawer/7	Shelves/4
Cooling method	Direct cooling	Direct cooling	Direct cooling
Defrost	Manual	Manual	Manual
Refrigerant	R290	R290	R290
Power consumption(kWh/24h)	4	3	4
Noise(db)	48	50	48
Ambient temperature(°C)	10~32°C	10~32°C	10~32°C
Temperature range(°C)	-30~-40°C	-30~-40°C	-30~-40°C
Compressor brand/QTY	CUBIGEL/1	CUBIGEL/1	CUBIGEL/1
Condenser	Wire tube	Inside foaming	Wire tube
Sensor	NTC	NTC	NTC
Temperature controller	Microprocessor	Microprocessor	Microprocessor
Display	Digital display	Digital display	Digital display
Voltage/frequency(V/Hz)	220/50Hz	220/50Hz	220/50Hz
Power(W)	300W	185W	300W
Current(A)	1.6A	1.6A	1.6A
Inside material	304 Stainless Steel	304 Stainless Steel	304 Stainless Steel
Outside material	Cold-rolled steel coated with anti-bacteria powder	Cold-rolled steel coated with anti-bacteria powder	Cold-rolled steel coated with anti-bacteria powder
Insulation	PURF	PURF	PURF
Capacity (L/cu.ft)	268/9.46	278/9.81	328/11.58
NW./GW.(kg)	98.5/118	79/104.5	110.3/132
Exterior size(W×D×H)(mm)	690×680×1635	670×640×1695	685×670×1900
Interior size(W×D×H)(mm)	508×455×1137	480×415×1460	508×455×1393
Package size(W×D×H)(mm)	760×760×1750	725×665×1850	750×760×2030
CBM	1.01	0.89	1.16
20GP/40GP/40HQ	21/45/45	24/54/54	21/48 /48
High/low temperature	Y	Y	Y
Power failure	Y	/	Y
Sensor error	Y	Y	Y
Filter check	/	/	/
Temperature controller failure	Y	Y	Y
Low battery	/	/	/
Condenser clean	/	/	/
High ambient temperature	/	/	/
Door ajar	Y	Y	Y
Power failure backup system(alarm)	8h	8h	8h
Foot	Y	Y	Y
Castor	Y	Y	Y
Inside door	Y	7 Drawers	Y
Test hole QTY/diameter	Y	Y	Y
USB port	/	/	/
Remote alarm port	Y	/	Y

-40°C Freezer, Vertical Type

LF40-360 LF40-530 LF40-940 CRF40-370



LF40-270E

Key Features

2 independent doors, 2 compressors, 2 test holes, 2 displays, 2 USB port interface.

Standard with thermal printer to record 1 year's data.

Reliability

- Single temperature control system with double construction.
- 2 completely independent chambers with their own temperature displays.

Easy to Clean

Top and bottom chambers are equipped with 2 independent refrigeration circuits that enables separate temperature setting and defrosting for the two chambers.

With the capability to defrost the top and bottom chambers separately, the unit makes it easy to transfer samples during defrosting.



Security functions that help protect valuable samples with a temperature inside the chamber, and an alarm/security function that prevents errors, the unit maintains the quality of the preserved samples.

Temperature recorder (optional).



Height-adjustable shelf trays allow you to adjust the inside of the chambers according to the size of the samples. By changing the height of the shelf trays, the unit can accommodate various sizes of samples including stored in your conventional models.

Equipped with separate doors that suppress the leakage of cold air during opening and closing of the doors, and manual defrosting that helps avoid temperature impact on the samples.

Door latch with provision for a padlock for extra protection of samples.



It can be used to preserve plasma, biological materials, vaccines, reagents, etc. And it is suitable for scientific research institutes, electronic, chemical and other enterprise laboratories, blood stations, hospitals, disease prevention and control centers and animal



Specifications

	Model	LF40-360	LF40-530	LF40-940	CRF40-370
Specifications	Shelf/drawer	Shelves/4 drawers/12	Shelves/4 drawers/18	Shelves/3	Shelves//2 Drawer/6
	Cooling method	Direct cooling	Direct cooling	Direct cooling	Direct cooling
	Defrost	Manual	Manual	Manual	Manual
	Refrigerant	R290	R290	R404A	R600a R290
	Power consumption(kWh/24h)	5.5	6.7	14.5	4.15
	Noise(dB)	49	55	50	50
	Ambient temperature(°C)	10~32°C	10~32°C	10~32°C	10~32°C
	Temperature range(°C)	-20~-40°C	-20~-40°C	-25~-40°C	F: -20°C~-40°C R: 2°C~8°C
Cooling system	Compressor brand/QTY	CUBIGEL/2	CUBIGEL/2	SECOP/2	CUBIGEL/1; HUAYI/1
	Condenser	Wire tube	Copper tube	Copper tube and finned	Wire tube
	Sensor	NTC	NTC	PTC	NTC
	Temperature controller	Microprocessor	Microprocessor	Microprocessor	Microprocessor
	Display	Digital display	Digital display	Digital display	Digital display
Power	Voltage/frequency(V/Hz)	220/50Hz	220/50Hz	220/50Hz	220/50Hz
	Power(W)	310W	340W	1000W	300W
	Current(A)	3A	3.4A	5.8A	2.45A
Material	Inside material	304 Stainless Steel	304 Stainless Steel	304 Stainless Steel	304 Stainless Steel
	Outside material	Cold-rolled steel coated with anti-bacteria powder	Cold-rolled steel coated with anti-bacteria powder	Cold-rolled steel coated with anti-bacteria powder	Cold-rolled steel coated with anti-bacteria powder
	Insulation	PURF	PURF	PURF	PURF
Size	Capacity (L/cu.ft)	358/12.6	528/18.64	936/33.05	368/12.99
	NW./GW.(kg)	138/178	151/184	372/416	137/166
	Exterior size(W×D×H)(mm)	720×830×1870	910×845×1875	1320×980×2100	720×830×1870
	Interior size(W×D×H)(mm)	466×636×625	(651×631.5×635)×2	1000×700×1335	F: 580×626×625; R: 466×636×625
	Package size(W×D×H)(mm)	780×920×1990	930×970×2000	1360×1135×2170	775×920×1990
	CBM	1.43	1.80	3.35	1.43
	20GP/40GP/40HQ	18/39/39	12/ 24/24	8/16/16	14/39/39
Alarm	High/low temperature	Y	Y	Y	Y
	Power failure	Y	Y	Y	Y
	Sensor error	Y	Y	Y	Y
	Filter check	/	/	Y	/
	Temperature controller failure	Y	Y	Y	Y
	Low battery	/	/	Y	/
	Condenser clean	/	/	Y	Y
	High ambient temperature	Y	/	Y	Y
	Door ajar	Y	/	Y	Y
	Power failure backup system(alarm)	8h	8h	72h	8h
Accessories	Foot	Y	Y	/	Y
	Castor	Y	Y	Y	Y
	Inside door	/	/	Y	/
	Test hole QTY/diameter	Y	2/25MM	1/18MM	2/25MM
	USB port	Y	/	Y	Y
Remote alarm port	Optional	Y	Y	Optional	

-40°C Freezer, Chest Freezer

LF40-H110 LF40-H310 LF40-H490



Key Features

- Chemically stable, CFC-free, commercially available and environmentally safe refrigerant.
- Microprocessor control, adjustable temperature range: -20°C to -40°C
- LED digital display and increment at 0.1°C.
- Permanently lubricated cooling fan for safety and longevity.

Reliability

- High density CFC-free urethane foam insulation.
- Standard with 25mm test hole. (The low temperature freezer should be equipped with temperature test holes on the freezer body or door cover, and the two ends of the hole should be reliably sealed with rubber plugs. When used in occasions where temperature measurement is not required, temperature measurement holes may not be provided.)
- Power failure protection: the device would be attacked by the high current when all devices restart simultaneously, and the start-delay function would protect device from the damage.



Big screen for easy observation.



Door lock design to avoid abnormal door open.



- Multiple malfunction alarms to detect high and low temperature, sensor error, power failure, temperature controller malfunction.
- Two types of alarm indications: audible buzzing and visual flashing light.
- Wide voltage tolerance design with applicable voltage range of 187-242V/AC.



Specifications

	Model	LF40-H110	LF40-H310	LF40-H490
Specifications	Cooling method	Direct cooling	Direct cooling	Direct cooling
	Defrost	Manual	Manual	Manual
	Refrigerant	R290	R290	R290
	Power consumption(kWh/24h)	1.65	1.68	3.45
	Noise(db)	50	52	55
	Ambient temperature(°C)	10~32°C	10~32°C	10~32°C
Cooling system	Temperature range(°C)	-10~-40°C	-20~-40°C	-20~-40°C
	Compressor brand/QTY	CUBIGEL/1	CUBIGEL	CUBIGEL/1
	Condenser	Wire tube	Wire tube	Wire tube
	Sensor	NTC	NTC	NTC
	Temperature controller	Microprocessor	Microprocessor	Microprocessor
	Display	Digital display	Digital display	Digital display
Power	Voltage/frequency(V/Hz)	220/50Hz	220/50Hz	220/50Hz
	Power(W)	160W	150W	295W
	Current(A)	1.15A	1.3A	2.45A
Material	Inside material	304 Stainless steel	Color sprayed steel	304 Stainless steel
	Outside material	Cold-rolled steel coated with anti-bacteria powder	Cold-rolled steel coated with anti-bacteria powder	Cold-rolled steel coated with anti-bacteria powder
	Insulation	PURF	PURF	PURF
Size	Capacity(L/cu.ft)	105/3.70	305/	485/17.12
	NW./GW.(kg)	52/64.5	80/85	108/135
	Exterior size(W×D×H)(mm)	685×645×930	1218×840×940	1670×810×930
	Interior size(W×D×H)(mm)	480×380×665	1000×520×665	1455×525×665
	Package size(W×D×H)(mm)	750×700×1040	1295×842×1070	1775×880×1060
	CBM	0.55	1.17	1.66
Alarm	20GP/40GP/40HQ	24/51/51	22/46/46	12/26/26
	High/low temperature	Y	Y	Y
	Power off	Y	Y	Y
	Sensor error	Y	Y	Y
	Temperature controller malfunction	Y	Y	Y
	Power failure backup system(alarm)	12h	12h	12h
Accessories	Caster	Y	Y	Y
	Test hole QTY/diameter	1/25MM	1	1

-60°C Freezer, Chest Freezer

LF60-H110 LF60-H490



Key Features

- Chemically stable, CFC-free, commercially available and environmentally safe refrigerant.
- Microprocessor control, adjustable temperature range: -20°C to -40°C
- LED digital display and increment at 0.1°C.
- Permanently lubricated cooling fan for safety and longevity.



Big screen for easy observation.

Reliability

- High density CFC-free urethane foam insulation.
- Standard with 25mm test hole. (The low temperature freezer should be equipped with temperature test holes on the freezer body or door cover, and the two ends of the hole should be reliably sealed with rubber plugs. When used in occasions where temperature measurement is not required, temperature measurement holes may not be provided.)
- Power failure protection: the device would be attacked by the high current when all devices restart simultaneously, and the start-delay function would protect device from the damage.



Door lock design to avoid abnormal door open.



- Multiple malfunction alarms to detect high and low temperature, sensor error, power failure, temperature controller malfunction.
- Two types of alarm indications: audible buzzing and visual flashing light.
- Wide voltage tolerance design with applicable voltage range of 187~242V/AC.



Specifications

	Model	LF60-H110	LF60-H490
Specifications	Cooling method	Direct cooling	Direct cooling
	Defrost	Manual	Manual
	Refrigerant	HFC	HFC
	Power consumption (kWh/24h)	3.2	7.5
	Noise (db)	53	53
	Ambient temperature (°C)	10~32°C	10~32°C
Cooling system	Temperature range (°C)	-25~60°C	-25~60°C
	Compressor brand/QTY	CUBIGEL/1	CUBIGEL/1
	Sensor	NTC	PTC
	Temperature controller	Microprocessor	Microprocessor
Power	Display	Digital display	Digital display
	Voltage/frequency(V/Hz)	220/50Hz	220/50Hz
	Power(W)	380W	600W
Material	Current(A)	2.05A	3.05A
	Inside material	304 Stainless steel	304 Stainless steel
	Outside material	Cold-rolled steel coated with anti-bacteria powder	Cold-rolled steel coated with anti-bacteria powder
Size	Insulation	PURF	PURF
	Capacity(L/cu.ft)	105/3.70	485/17.12
	NW./GW.(kg)	61/72.5	122/149
	Exterior size(W×D×H)(mm)	685×645×930	1670×810×930
	Interior size(W×D×H)(mm)	480×380×665	1455×525×665
	Package size(W×D×H)(mm)	750×730×1040	1775×900×1050
	CBM	0.57	1.68
Alarm	20GP/40GP/40HQ	24/48/48	6/13/13
	High/low temperature	Y	Y
	Sensor error	Y	Y
	Thermostat failure	Y	Y
Accessories	Power failure backup system(alarm)	12h	12h
	Castor	Y	Y
	Test hole QTY/diameter	1/25MM	1/25MM
	Temperature recorder	Optional	Optional

-86°C Freezer, Vertical Type

ULF86-60E ULF86-190E ULF86-340E ULF86-410E ULF86-590E
 ULF86-730E ULF86-840E ULF86-340 ULF86-410 ULF86-590
 ULF86-730 ULF86-840 ULF86-410P ULF86-590P
 ULF86-730P ULF86-840P



ULF86-340

Key Features

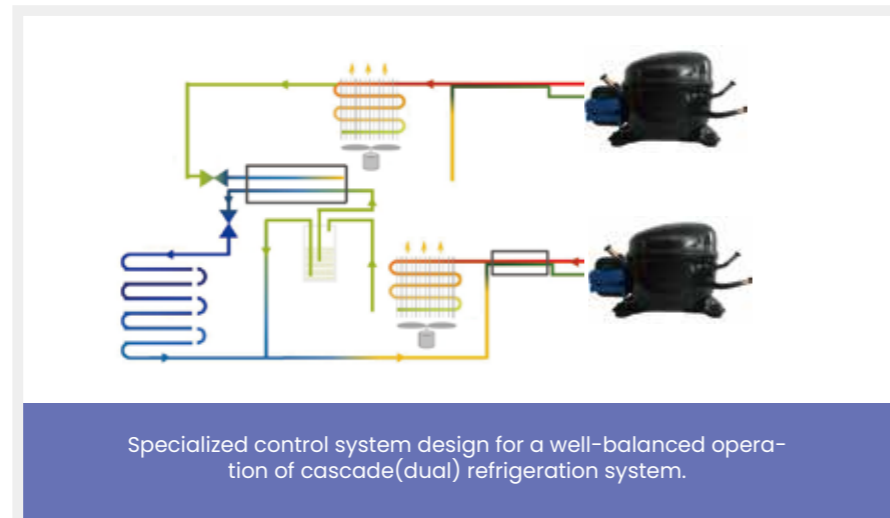
Wide range operating voltage system from 187V to 242V designed to allow units installed in areas with poor voltage condition.

Settable high temperature and low temperature alarms.

Door open feature standard and USB port for temperature data downloading standard on upright models.

HC Refrigerant with better efficiency & less energy cost, good for environment.

Optional temperature recorder, storage racks and storage box.



- Adjustable storage shelf height.
- Unique insulated inner door design for four separate storage compartments to minimize frost buildup inside the chamber.
- Unique door seal design for the minimum loss of cold temperature during a door opening.
- High performance VIP insulation panels to minimize cabinet heat gain and to improve temperature stability.



-
- Multifunctional alarms including high and low temperature, power failure, sensor error, clean-filter, and extremely high ambient, abnormal voltage, thermostat failure, low battery, condenser clean, door ajar.
 - Capable of producing two types of alarm outputs, audible buzzer and visible flashing light.
 - Wide range operating voltage system from 187V to 242V designed to allow units installed in areas with poor voltage condition.
 - Remote alarm contacts.



Specifications

Model	ULF86-60E	ULF86-190E	ULF86-340E	ULF86-410E	ULF86-590E	ULF86-730E	ULF86-840E	
Specifications	Shelf/drawer QTY	Stainless steel shelf/1	Stainless steel shelf/2	Stainless steel shelf/3	Stainless steel shelf/3	Stainless steel shelf/3	Stainless steel shelf/3	
	Cooling	Direct cooling	Direct cooling	Direct cooling	Direct cooling	Direct cooling	Direct cooling	
	Defrost	Manual	Manual	Manual	Manual	Manual	Manual	
	Refrigerant	mixed refrigerant, CFC-Free	mixed refrigerant, CFC-Free	mixed refrigerant, FC-Free	mixed refrigerant, CFC-Free	mixed refrigerant, CFC-Free	mixed refrigerant, CFC-Free	
	Power Consumption(kWh/24h)	5.6	8.2	11.2	12	16.5	20	
	Noise(db)	/	52	52	50	53	50	
	Ambient temperature(°C)	10-32°C	10-32°C	10-32°C	10-32°C	10-32°C	10-32°C	
	Temperature range(°C)	-40~-86°C	-40~-86°C	-40~-86°C	-40~-86°C	-40~-86°C	-40~-86°C	
Cooling system	Compressor brand/QTY	SECOP/1	CUBIGEL/1	SECOP/1	SECOP/1	SECOP/2	SECOP/2	
	Sensor	PTC	PTC	PTC	PTC	PTC	PTC	
	Temperature controller	Microprocessor	Microprocessor	Microprocessor	Microprocessor	Microprocessor	Microprocessor	
	Display	Digital display	Digital display	Digital display	Digital display	Digital display	Digital display	
Power	Voltage/frequency(V/Hz)	220/50Hz	220/50Hz	220/50Hz	220/50Hz	220/50Hz	220/50Hz	
	Power(W)	442W	660W	810W	890W	1500W	1400W	
	Current(A)	2.67A	4.3A	5A	4.6A	9.1A	8.8	
Material	Inside material	304 Stainless steel	304 Stainless steel	304 Stainless steel	304 Stainless steel	304 Stainless steel	304 Stainless steel	
	Outside material	Cold-rolled steel coated with anti-bacteria powder	Cold-rolled steel coated with anti-bacteria powder	Cold-rolled steel coated with anti-bacteria powder	Cold-rolled steel coated with anti-bacteria powder	Cold-rolled steel coated with anti-bacteria powder	Cold-rolled steel coated with anti-bacteria powder	
	Insulation	PURF	PURF	PURF	PURF	PURF	PURF	
Size	Capacity (L/cu.ft)	58L	188/6.63	340/12	408/14.40	588/20.76	728/25.7	
	NW./GW.(kg)	115/155	174/224	222/283.5	234/291	290/360	374/394	
	Exterior size(W×D×H)(mm)	635×757×1212	850×930×1595	875×980×1900	890×930×1945	880×1090×1995	1229×1012×1994.5	1175×1075×1990
	Interior size(W×D×H)(mm)	330×453×410	465×465×830	488×607×1140	606×575×1180	606×738×1310	963×571×1350	894×718×1310
	Package size(W×D×H)(mm)	730×845×1400	880×910×1820	935×1070×2130	955×955×2100	970×1140×2190	1320×970×2185	1270×1100×2185
	CBM	0.87	1.46	2.13	1.92	2.42	2.79	
	20GP/40GP/40HQ	21/43/43	12/26/26	12/24/24	12/24/24	12/24/24	10/21/21	
Frozen Racks	Racks	2(6×2)	9(4×3)	12(4×4)	8(5×4)+8(4×4)	16(5×5)	24(5×4/6×4)	
	Boxes (2 Inches)	24	108	192	288	400	600	
	Samples(2ml)	2400	10800	19200	28800	40000	60000	
Alarm	Alarm	High/low temperature; Power failure; Abnormal voltage; Sensor error; Filter screen check; Thermostat failure; Low battery; Condenser clean; High ambient temperature; Door ajar			High/low temperature; Power failure; Abnormal voltage; Sensor error; Filter screen check; Thermostat failure; Low battery; Condenser clean; High ambient temperature; Door ajar			
	Power failure backup system(alarm)	72h	72h	72h	72h	72h	72h	
Accessories	Castor	Y	Y	Y	Y	Y	Y	
	Inside door	1	3	2	2	2	2	
	Test hole QTY/diameter	1/25MM	1/25MM	1/25MM	1/25MM	1/25MM	1/25MM	
	USB port	Y	Y	Y	Y	Y	Y	
	Chart recorder	/	/	/	/	/	/	
	Data logger	Optional	Optional	Optional	Optional	Optional	Optional	
Optional	Remote alarm port	Y	Y	Y	Y	Y	Y	
	CO2 back up system	Optional	Optional	Optional	Optional	Optional	Optional	
	LN2 back up system	Optional	Optional	Optional	Optional	Optional	Optional	



Specifications

Model	ULF86-340	ULF86-410	ULF86-590	ULF86-730	ULF86-840	
Specifications	Shelf/drawer QTY	Stainless steel shelf/3	Stainless steel shelf/3	Stainless steel shelf/3	Stainless steel shelf/3	
	Cooling	Direct cooling	Direct cooling	Direct cooling	Direct cooling	
	Defrost	Manual	Manual	Manual	Manual	
	Refrigerant	HC	HC	HC	HC	HC
	Power Consumption(kWh/24h)	12.8	11.6	12	15.4	15
	Noise(db)	50	50	53	53	53
	Ambient temperature(°C)	10-32°C	10-32°C	10-32°C	10-32°C	10-32°C
Temperature range(°C)	-40~-86°C	-40~-86°C	-40~-86°C	-40~-86°C	-40~-86°C	
Cooling system	Compressor brand/QTY	SECOP/2	SECOP/2	SECOP/2	SECOP/2	
	Sensor	PTC	PTC	PTC	PTC	
	Temperature controller	Microprocessor	Microprocessor	Microprocessor	Microprocessor	
	Display	LCD display	LCD display	LCD display	LCD display	
Power	Voltage/frequency(V/Hz)	220/50Hz	220/50Hz	220/50Hz	220/50Hz	
	Power(W)	870W	845W	815W	935W	890W
	Current(A)	6.75A	7A	7A	7A	7A
Material	Inside material	304 Stainless steel	304 Stainless steel	304 Stainless steel	304 Stainless steel	
	Outside material	Cold-rolled steel coated with anti-bacteria powder	Cold-rolled steel coated with anti-bacteria powder	Cold-rolled steel coated with anti-bacteria powder	Cold-rolled steel coated with anti-bacteria powder	Cold-rolled steel coated with anti-bacteria powder
	Insulation	PURF	PURF	PURF	PURF	PURF
Size	Capacity (L/cu.ft)	338/11.93	408/14.40	588/20.76	728/25.70	838/29.59
	NW./GW.(kg)	250/305	292/317	307/368	360/401.5	397/430
	Exterior size(W×D×H)(mm)	880×980×1940	900×940×1940	880×1080×2000	1260×890×2010	1190×1045×2010
	Interior size(W×D×H)(mm)	488×607×1140	606×575×1180	606×738×1310	963×558×1350	894×718×1310
	Package size(W×D×H)(mm)	940×1070×2130	955×960×2100	975×1140×2200	1320×970×2190	1270×1105×2220
	CBM	2.14	1.93	2.45	2.80	3.12
	20GP/40GP/40HQ	12/24/24	12/24/24	12/24/24	8/18/18	8/18/18
Frozen Racks	Racks	12(4×4)	8(5×4)+8(4×4)	16(5×5)	18(5×4)+6(6×4)	24(5×5)
	Boxes (2 Inches)	192	288	400	504	600
	Samples(2ml)	19200	28800	40000	50400	60000
Alarm	Alarm	High/low temperature; Power failure; Abnormal voltage; Sensor error; Filter screen check; Thermostat failure; Low battery; Condenser clean; High ambient temperature; Door ajar		High/low temperature; Power failure; Abnormal voltage; Sensor error; Filter screen check; Thermostat failure; Low battery; Condenser clean; High ambient temperature; Door ajar		
	Power failure backup system(alarm)		72h	72h	72h	
Accessories	Castor	Y	Y	Y	Y	Y
	Inside door	2	2	2	2	2
	Test hole QTY/diameter	2/25MM	1/25MM	1/25MM	1/25MM	1/25MM
	USB port	Y	Y	Y	Y	Y
	Chart recorder	Optional	Optional	Optional	Optional	Optional
	Data logger	Optional	Optional	Optional	Optional	Optional
Optional	Remote alarm port	Y	Y	Y	Y	Y
	CO2 back up system	Optional	Optional	Optional	Optional	Optional
	LN2 back up system	Optional	Optional	Optional	Optional	

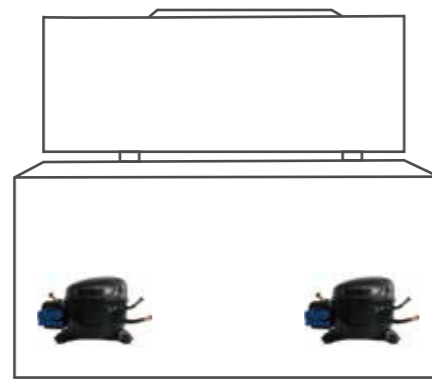


Specifications

	Model	ULF86-410P	ULF86-590P	ULF86-730P	ULF86-840P
Specifications	Shelf/drawer QTY	Stainless steel shelf/3	Stainless steel shelf/3	Stainless steel shelf/3	Stainless steel shelf/3
	Cooling	Direct cooling	Direct cooling	Direct cooling	Direct cooling
	Defrost	Manual	Manual	Manual	Manual
	Refrigerant	mixed refrigerant, CFC-Free	mixed refrigerant, CFC-Free	mixed refrigerant, CFC-Free	mixed refrigerant, CFC-Free
	Power Consumption(kWh/24h)	14.5	16.5	18.8	18.8
	Noise(db)	53	53	55	55
	Ambient temperature(℃)	10~32℃	10~32℃	10~32℃	10~32℃
Cooling system	Temperature range(℃)	-40~-86℃	-40~-86℃	-40~-86℃	-40~-86℃
	Compressor brand/QTY	SECOP/2	SECOP/2	SECOP/2	SECOP/2
	Sensor	PTC	PTC	PTC	PTC
	Temperature controller	Microprocessor	Microprocessor	Microprocessor	Microprocessor
Power	Display	LCD display	LCD display	LCD display	LCD display
	Voltage/frequency(V/Hz)	220/50Hz	220/50Hz	220/50Hz	220/50Hz
	Power(W)	1350W	1500W	1700W	1700W
Material	Current(A)	8A	9.1A	9.8A	9.8A
	Inside material	304 Stainless steel	304 Stainless steel	304 Stainless steel	304 Stainless steel
	Outside material	Cold-rolled steel coated with anti-bacteria powder	Cold-rolled steel coated with anti-bacteria powder	Cold-rolled steel coated with anti-bacteria powder	Cold-rolled steel coated with anti-bacteria powder
Size	Insulation	PURF	PURF	PURF	PURF
	Capacity (L/cu.ft)	408	588	728	838
	NW./GW.(kg)	255/307	297.5/358.5	360/401.5	336.5/416
	Exterior size(W×D×H)(mm)	900×940×1940	885×1100×1995	1260×890×2010	1190×1045×2010
	Interior size(W×D×H)(mm)	606×575×1180	606×738×1310	963×558×1350	894×718×1310
	Package size(W×D×H)(mm)	955×960×2100	970×1140×2190	1320×970×2190	1270×1105×2220
	CBM	1.93	2.42	2.8	3.12
Frozen Racks	20GP/40GP/40HQ	12/24/24	12/24/24	8/18/18	8/18/18
	Racks	16(5×4,4×4)	16(5×5)	18(5×4)+6(6×4)	24(5×5)
	Boxes (2 Inches)	288	400	504	600
Alarm	Samples(2ml)	28800	40000	50400	60000
	Alarm	High/low temperature; Power failure; Abnormal voltage; Sensor error; Filter screen check; Thermostat failure; Low battery; Condenser clean; High ambient temperature; Door ajar	High/low temperature; Power failure; Abnormal voltage; Sensor error; Filter screen check; Thermostat failure; Low battery; Condenser clean; High ambient temperature; Door ajar	High/low temperature; Power failure; Abnormal voltage; Sensor error; Filter screen check; Thermostat failure; Low battery; Condenser clean; High ambient temperature; Door ajar	High/low temperature; Power failure; Abnormal voltage; Sensor error; Filter screen check; Thermostat failure; Low battery; Condenser clean; High ambient temperature; Door ajar
Accessories	Power failure backup system(alarm)	72h	72h	73h	72h
	Castor	Y	Y	Y	Y
	Inside door	2	2	2	2
	Test hole QTY/diameter	1/25MM	1/25MM	1/25MM	1/25MM
	USB port	Y	Y	Y	Y
	Chart recorder	/	/	/	/
	Data logger	Optional	Optional	Optional	Optional
Optional	Remote alarm port	Y	Y	Y	Y
	CO2 back up system	Optional	Optional	Optional	Optional
	LN2 back up system	Optional	Optional	Optional	Optional

-86 °C Freezer, Chest Freezer

ULF86-H110 ULF86-H490



Big screen for easy observation.



Safety door lock design to prevent abnormal door open



Excellent thermal insulation performance with silicone door seal design (second door seal optional)

The box is made of high-quality cold rolled steel plate, and the surface is treated with advance anti-corrosion phosphatic spraying process with elegant orange powder coating.

High-class 304 SUS inner box, durable and reliable.

Optimized self-cascade refrigeration system to provide faster cooling speed with lower power consumption

Imported brand compressor work with mixed refrigerant

With the international famous brand computer temperature control system to keep the inner temperature accurate and stable. Temperature adjusted from -40 C~-86 C



Temperature high/low alarm, sensor malfunction alarm.

Audible and visible alarm.

Keyboard lockable, password protection to prevent change running parameter randomly.

Display running parameter with real-time monitoring to guarantee the stability of freezer.

Specifications

	Model	ULF86-H110	ULF86-H490
Specifications	Cooling	Direct cooling	Direct cooling
	Defrost	Manual	Manual
	Refrigerant	Mixed-gas	Mixed-gas
	Power consumption(kWh/24h)	3.8	11.5
	Noise(db)	50	54.5
	Ambient temperature(C)	10~32 C	10~32 C
Cooling system	Temperature range(C)	-40~-86 C	-40~-86 C
	Compressor brand/QTY	CUBIGEL/1	SECOP/1
	Sensor	PTC	PTC
	Temperature controller	Microprocessor	Microprocessor
	Display	Digital display	Digital display
	Power	Voltage/frequency(V/Hz)	220/50Hz
Power(W)		500W	670W
Current(A)		2.9	3.57
Material	Inside material	Stainless steel	Stainless steel
	Outside material	Color sprayed steel	Color sprayed steel
	Insulation	PURF	PURF
Size	Capacity(L/cu.ft)	105/3.70	485/17.12
	NW./GW.(kg)	63.7/68.5	127/152.5
	Exterior size(W×D×H)(mm)	680×580×935	1700×830×980
	Interior size(W×D×H)(mm)	480×380×665	1455.5×525.2×674
	Package size(W×D×H)(mm)	770×705×1090	1780×910×1080
	CBM	0.59	1.75
	20GP/40GP/40HQ	24/51/51	6/13/13
	Frozen Racks	Racks	2(11×1)+2(6×1)
Boxes (2 Inches)		34	30
Samples(2ml)		3400	30000
Alarm	High/low temperature	Y	Y
	Sensor error	Y	Y
	Thermostat failure	Y	Y
	Power failure backup system(alarm)	12h	12h
Accessories	Castor	Y	Y
	Test hole QTY/diameter	1/25MM	1/25MM
	Data logger	Optional	Optional
Optional	CO2 back up system	Optional	Optional
	LN2 back up system	Optional	Optional

-150 °C Freezer, Chest Freezer

ULF150-H130



IFiled Proven Reliability



7 inches touch screen to display current temp, history temp, all alarm records and data.

Non-flammable HC refrigerant to guarantee users' safe.

Emergency stop to protect operator.

Key Design Features

Microprocessor-controlled system designed for controlled range of -150 °C to -40 °C or cabinet space with 1°C increment.

Settable high temperature and low temperature alarms.

Optional temperature recorder, storage racks and storage box.

Energy Saving

Unique door seal design for the minimum loss of cold temperature during a door opening.

200 mm thickness without CFC insulation to minimize cabinet heat gain and to improve temperature stability.



Specifications

	Model	ULF150-H130
Specifications	Shelf/drawer QTY	/
	Cooling	Direct Cooling
	Defrost	Manual
	Refrigerant	mixed refrigerant, CFC-Free
	Power Consumption(kWh/24h)	44.5
	Noise(db)	/
	Ambient temperature(°C)	10-32 °C
Cooling system	Temperature range(°C)	-40 °C ~ -150 °C
	Compressor brand/QTY	Taikang/1
	Sensor	PT100
	Temperature controller	Microprocessor
Power	Display	Digital display
	Voltage/frequency(V/Hz)	380V/50Hz
	Power(W)	2550W
Material	Current(A)	4.6
	Inside material	SUS304
	Outside material	Cold-rolled steel coated with anti-bacteria powder
Size	Insulation	PURF
	Capacity(L/cu.ft)	128L
	NW./GW.(kg)	/
	Exterior size(W×D×H)(mm)	1555×956×1047
	Interior size(W×D×H)(mm)	500×450×578
	Package size(W×D×H)(mm)	1637×970×1295
	CBM	2.05631755
Alarm	20GP/40GP/40HQ	6/14/14
	High/low temperature	Y
	Power failure	/
	Abnormal voltage	/
	Sensor error	Y
	Filter screen check	/
	Thermostat failure	Y
	Low battery	/
	Condenser clean	/
	High ambient temperature	/
Door ajar	/	
Optional	Castor	Y
	Inside door	/
	Test hole QTY/diameter	1/25MM
	USB port	/
	Temperature recorder	/
Optional	Data logger	/
	Power failure backup system(alarm)	/
	Remote alarm port	/
	CO2 back up system	/
	LN2 back up system	/



Suitable for 10°C to 30°C ambient temperature.



380V / 50Hz electrical design, stable power supply, rapid cooling, rapid cooling in 6 hours.

SAFETY

- Malfunction alarms including high and low temperature, power failure, sensor error, clean-filter, and condenser clean, abnormal voltage, low battery thermostat failure.
- Capable of producing two types of alarm outputs, audible buzzer and visible flashing light.
- USB** Door open feature standard and USB port for temperature date downloading standard on upright models.
- Remote alarm contacts.